

SMSEagle
Antenna UMTS/LTE
5-9dBi 10m
Tech datasheet

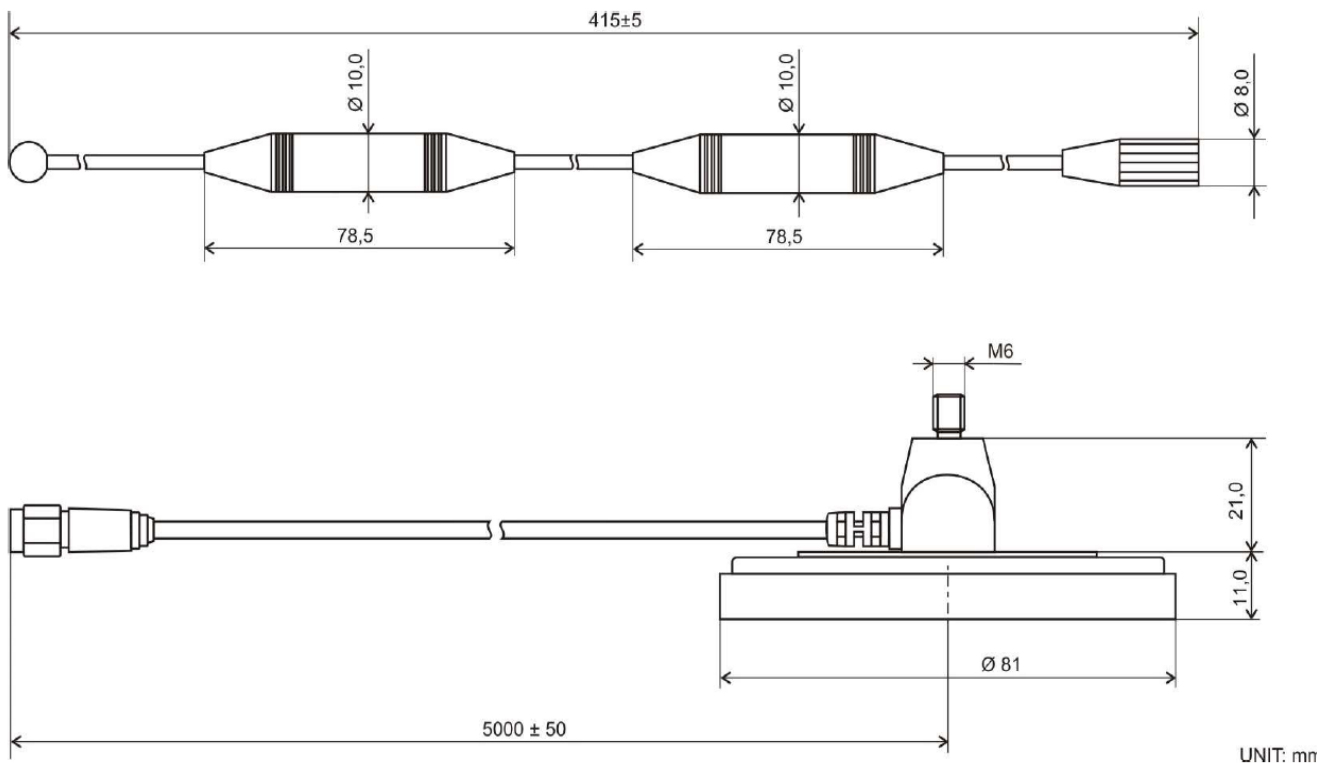
PRODUCT DESCRIPTION

Antenna GSM/UMTS/LTE 5-9 dBi suitable for places with low GSM/3G/4G signal reception.

SPECIFICATION

Frequency range:	700/800/900/1700/1800/1900/2100/2500/2600/2700 MHz
Radiation:	H-360°, V-30°
Polarization:	Linear
Gain:	5-9 dBi
VSWR:	<1.8:1
Impedance:	50 Ω
Power handling:	10 W max.

DRAWING



MECHANICAL SPECIFICATION

Attachment manner:	Magnetic
Available connector:	SMA (m)
Cable:	RG174/U, 5 m
Operating temperature:	-40 °C - +105 °C
Weight:	575 g
Dimension:	Ø 65 mm x 460 mm



Ul. Piątkowska 163, 60-650
Poznań, Poland | Europe

M +48 61 6713 413

E hello@smseagle.eu

www.smseagle.eu