

Tech datasheet

Antenna 5G/4G

Quad 2m

Reference:
ACCANTENNA5G2M



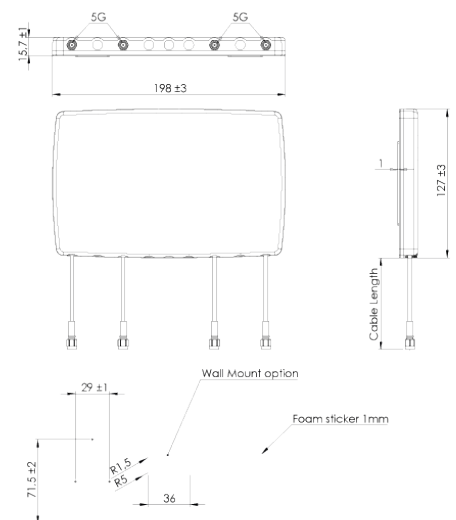
5G/4G/3G 4in1 antenna suitable for places with low 3G/4G/5G signal reception.

Hardware details

	Connection 1	Connection 2	Connection 3	Connection 4
Frequency range:	617-960, 1427-2690, 3300-5000, 5150-5925	617-960, 1427-2690, 3300-5000, 5150-5925	617-960, 1427-2690, 3300-5000, 5150-5925	617-960, 1427-2690, 3300-5000, 5150-5925
Radiation:	Omni-Directional	Omni-Directional	Omni-Directional	Omni-Directional
Polarization:	Linear	Linear	Linear	Linear
Gain:	~3.1, ~4.5, ~2.0, ~0.9	~3.3, ~4.1, ~3.2, ~2.9	~3.5, ~3.4, ~2.6, ~3.1	~3.4, ~4.5, ~2.5, ~1.2
VSWR:	<1.8:1	<1.5:1	<1.7:1	<1.7:1
Impedance:	50 Ω	50 Ω	50 Ω	50 Ω
Power handling:	25 W max.	25 W max.	25 W max.	25 W max.

Mechanical Specification

Attachment manner:	Adhesive Mount
Available connector:	SMA (m)
Cable:	D302 3m
Operating temperature:	-40 °C - +85 °C
Weight:	0,4kg
Dimension:	198 x 127 x 15,7 mm



Product accessories: <https://www.smseagle.eu/products/accessories/>